

OWNER'S MANUAL

AUTOMATIC INSTANT GAS WATER HEATER

IMPORTANT INFORMATION

- Read all instructions before using the heater
- Protect the heater from rain and wind, even from water that can flow over the edge, use for instance, SpaDealers protective box
- As gas, propane (LPG) with 30 mbar pressure reducer and 2 kg / h of gas flow is used
- Place the supplied rubber seal between the brass connector and gas inlet on the stove
- Check that there are no gas leaks before the stove is used
- At freezing temperatures the stove should be disconnected and stored in a warm place to prevent freezing damage
- Also remember to empty the connection hoses
- Read information about insulation and how it makes use in winter easier
- Observe separate information on how the gas pressure affects the function

If you have any questions, contact us at info@spadealers.fi




OPERATING INSTRUCTIONS

When operating the gas water heater always make sure that there is good ventilation. During operation the gas water heater will produce carbon monoxide which is harmful if inhaled in large quantities. It is therefore important that all users strictly observe the proper installation instructions and use as prescribed in this manual.. Unless otherwise authorized, refitting of this product by other than authorized and qualified personnel will render the warranty void and we shall hold ourselves free from any liabilities in case of accidents.

CONTENTS

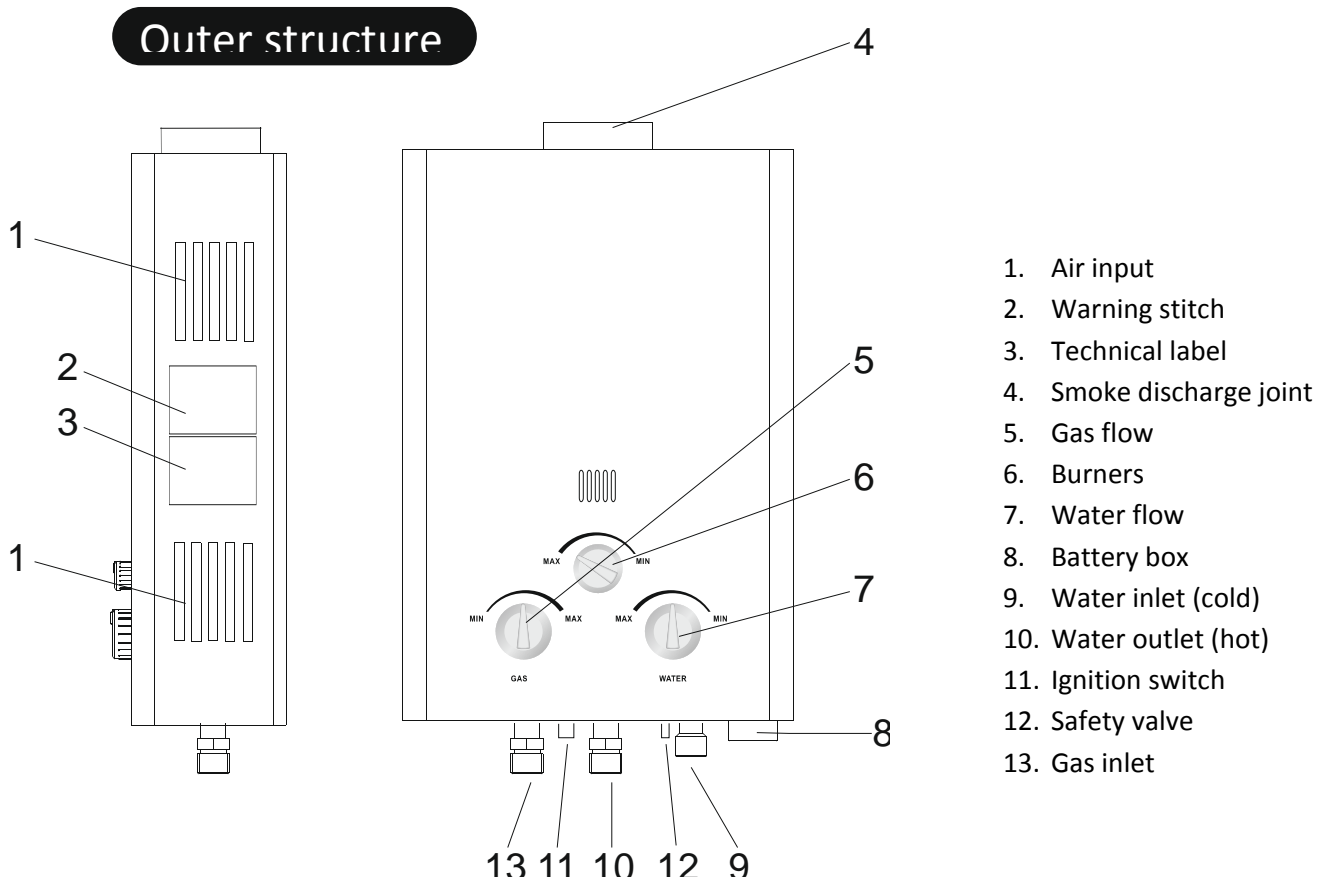
FEATURES	2
INSTALLATION REGULATIONS.....	4
INSTALLATION.....	5
LOADING THE BATTERY	5
INSTALLATION OF GAS PIPE	5
INSTALLATION OF HOT AND COLD WATER PIPE	6
USER INSTRUCTIONS.....	6
THE GAS PIPE MAY BECOME CRACKED AND LEAK GAS DUE TO LONG TIME USE. INSPECT IT REGULARLY.....	7
IN CASE OF GAS LEAKAGE, NEVER MAKE A FIRE OR TOUCH ANY ELECTRIC SWITCHES, NOT MAKE TELEPHONE CALL IN THE ROOM, OPEN ALL DOORS AND WINDOWS	7
PREVENT FIRE.....	8
PREVENT OXYGEN DEPLETION AND INCOMPLETE BURNING	8
PREVENT BURNS ON EYES.....	8
OTHER IMPORTANT CAUTIONS	8
REPLACE THE BATTERIES.....	9
HOW TO REPLACE THE BATTERIES: SEE PARAGRAPH “LOADING THE BATTERY” FOR DETAIL	9
ABNORMAL HANDLE.....	9
MAINTENANCE & SERVICES	9
TROUBLE & TROUBLESHOOTING	10

<p>Caution:</p> <p>Read the technical instructions before installing the appliance</p> <p>Read the user’s instructions before lighting the appliance</p> <p>This appliance shall only be installed outside or in a room separated from inhabited rooms, incorporating appropriate ventilation</p> <p>This appliance may only be installed in a room if the room meets the appropriate ventilation requirement</p>	OW121201  HIT2188	
	Gas water heater	
	Appliance type	B11BS
	Model	JSD-12L
	Type of gas	I3P: G31 – 30 mbar, 3000Pa 2E: G20 – 20mbar, 2000Pa
	Applicable water pressure	0.25Bar- 10Bar, 0.025 – 10 MPa
	Hot water supply capacity	12L/min $\Delta t=25^{\circ}\text{C}$
	Minimum output	8KW
	Nominal heat input	24KW
	Voltage	DC 3V
	Destination	Finland

FEATURES

- 1 Water controlled, fully automatic and easy to operate. Open the water valve, start pump to start ignition. The hot water will come out immediately.
- 2 Close the water valve, stop pump. The hot water stops and the flame goes out immediately.
- 3 Ability to start at very low water pressure, applicable for many places.
- 4 If the flame goes out unexpectedly during use, the gas supply will shut off automatically to protect against gas leakage.
- 5 If the water pressure is too high, the water will come out from the security valve to release pressure, ensuring safety for the appliance and the user.
- 6 Equipped with a protection unit to prevent over-heating in the water tank and “dry-burn”.
- 7 In the event of pressure fluctuations in the water supply, the water heater will maintain a relatively constant outlet water flow.

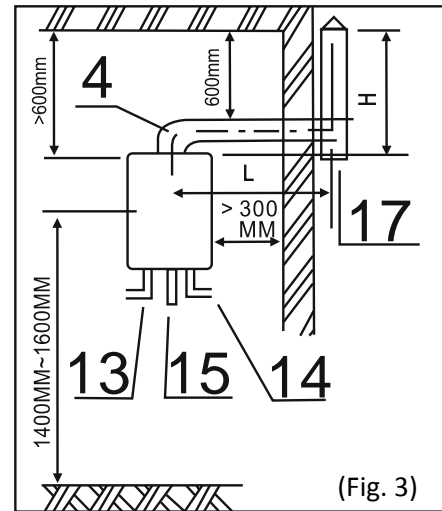
(This instruction is for the functions of the external housing only, and does not represent the external shape of other models.)



(Fig.1)

INSTALLATION REGULATIONS

1. It is forbidden to install this water heater in a closed room. It must be installed in a well-ventilated area larger than 7.5m². Because the water heater requires a larger quantity of oxygen when working, the area should have a minimum air-induction opening of 0.06m² (20x30 cm).
2. Do not install the water heater in a location with strong wind (unless it is protected from the wind); otherwise, the flame may go out or cause incomplete burning.
3. It is forbidden to install the heater outside if it's not protected from wind and rain, because wind and rain may put out the flame; Moreover, the appliance might get frozen and damaged in a cold winter season.
4. A water supply with a minimum 0.02Mpa water pressure is required on the installation site to ensure the normal operation of the water heater.
5. We recommend a cold water valve be installed close to the water heater for maintenance convenience. See Fig 4.
6. Keep a minimum space from the wall or ceiling on the installation site. Keep clear of stove, combustible and dangerous objects. See Fig 3.



(Fig. 3)

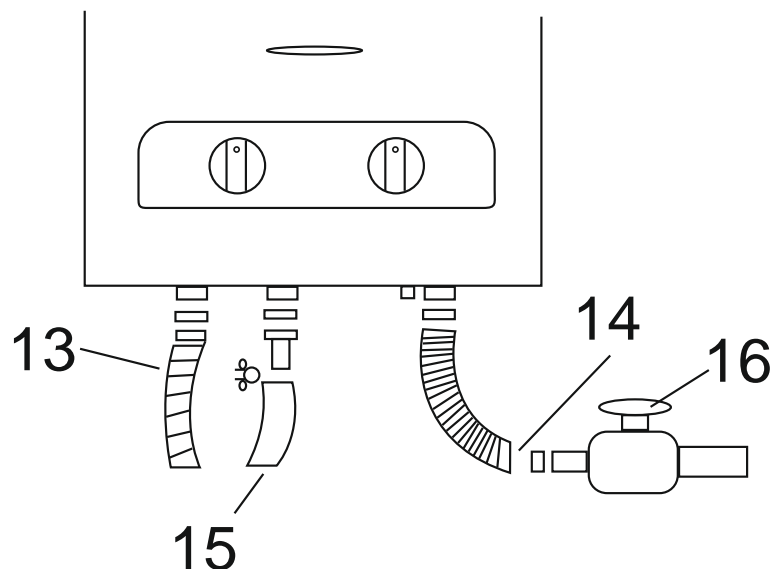
13. Gas inlet

14. Water inlet (cold)

15. Water outlet (warm)

16. Water valve

17. Air hole



(Fig. 4)

7. If it's possible, install the water heater at the proper height for easy inspection of burning, about 1.5m.
8. Make sure a proper gas pipe are installed and make sure that the pipe remains airtight and the inlet gas pressure is 30mbar, 2h/kg for normal operation of the appliance. If using a piped gas supply, ask the gas supplier or the gas administration authority for pipe connecting.
9. See "[OTHER IMPORTANT CAUTIONS](#)" for other regulations.

INSTALLATION (PERMANENT WALL MOUNT)

Hanging and installing the water heater (for reference only)

Mark the holes on the wall, the position is subject to the actual model of your water heater, drill 4 holes of 8mm, put in the plastic dowels if needed.

1. Hang the water heater, tighten the screws.

LOADING THE BATTERY

The battery box is located under the water heater. Load the batteries in the following order: See Fig.1

- 1 Open the cover of the battery box.
- 2 Load two 1.5V batteries (D size) into the battery box, make sure of the proper polarity. Improper polarity will affect the performance of the water heater.
- 3 Close the cover on the battery box.

INSTALLATION OF GAS PIPE



Hose must be designed for LPG gas and a maximum of 1.2 m long and 10 mm internal diameter. Or according to other national standard.

Attachment of the hose must be secured with a hose clamp at both ends. Use the included coupling with gasket so that the gasket sits against the gas inlet on the heater. If using a piped gas supply, ask the gas supplier to connect the pipe.

Use pressure reducer 30mbar, 2kg/h (not included)

EXAMPLE:



INSTALLATION OF HOT AND COLD WATER PIPE

Use hoses that can withstand pressure to connect incoming and outgoing water connection. Note that the outgoing pipe also must withstand temperatures up to 70 °C

USER INSTRUCTIONS

BEFORE START IGNITION

Please check to make sure that the gas type is in accordance with the one stipulated on the name plate (see page 2). Before igniting, open the cold water valve. Open the master gas switch and check that there is no leakage (see further instructions on page 7).

START IGNITION, WATER COMES OUT

Start ignition: Open the cold water valve, (or start the pump) the burner starts to ignite with a continuous "pa" sound, which stop after burning starts; hot water comes out immediately Note: When using this appliance for the first time, or after a long period between uses, repeat ignition is needed to discharge any existing air in the gas pipe. Use the knob "Gas", "Water" and "Power" to adjust the water temperature. With "Gas" and "Power" set to the Max position gives the maximum power. The knob "Water" adjust the water flow so that the Max position gives greater water flow and thus lower temperature out from the heater and vice versa.

For a temporary stop during use, close the hot water valve or stop the pump. The burner will stop burning automatically. Open the valve or start the pump for hot water again.

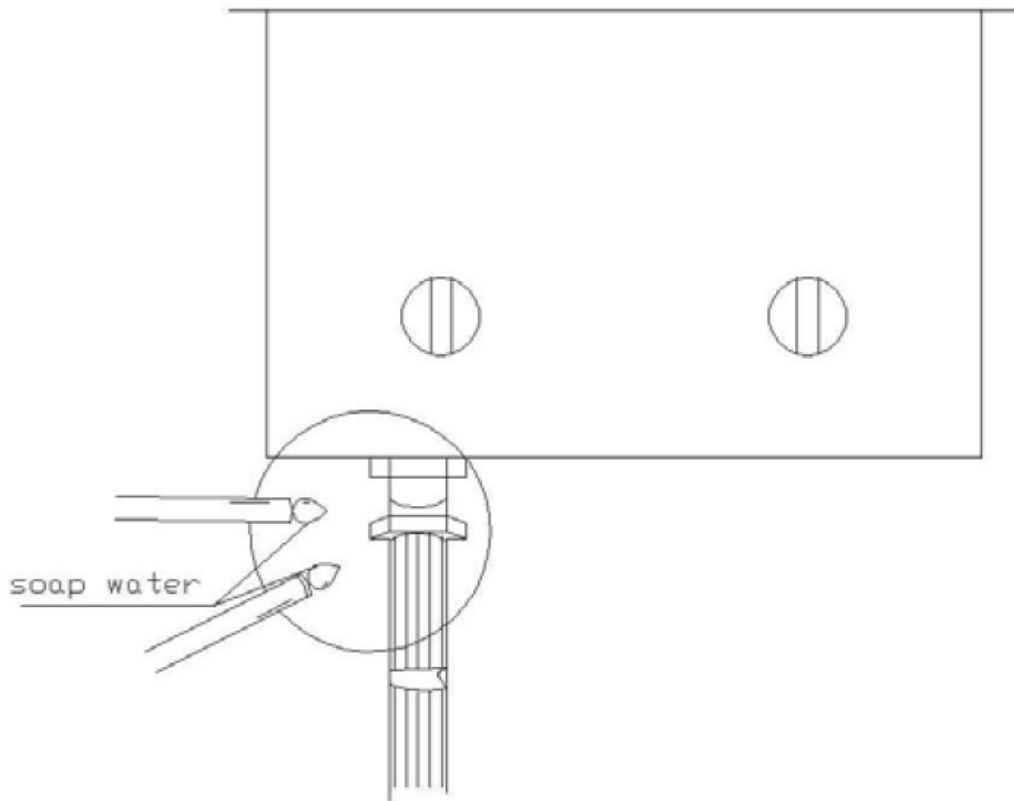
Note: Because the water will get very hot during a temporary stop, wait for a few seconds before coming into contact with the water

STOPPING THE HEATER (WATER STOPS COMING OUT)

To stop the water heater after use, close the hot water valve or stop the pump, the flame of the burner will go out automatically, and the water heater stops working.

Close the cold water valve or pump. Close the master gas valve.

THE GAS PIPE MAY BECOME CRACKED AND LEAK GAS DUE TO LONG TIME USE. INSPECT IT REGULARLY.



(Fig. 6)

Check the connections of the gas pipe regularly with soapy water (Fig. 6) to make sure there is no gas leakage. In case of gas leakage, never make fire or touch any electric-switches for the ventilation fan, etc. Do not connect or disconnect any power plugs; otherwise, a flame or spark could ignite the gas, causing a fire or explosion. Close the master gas valve, open all the doors and windows to exhaust the gas outside the house. Stop using the water heater and contact a service department or the gas supplier.

IN CASE OF GAS LEAKAGE, NEVER MAKE A FIRE OR TOUCH ANY ELECTRIC SWITCHES, NOT MAKE TELEPHONE CALL IN THE ROOM, OPEN ALL DOORS AND WINDOWS

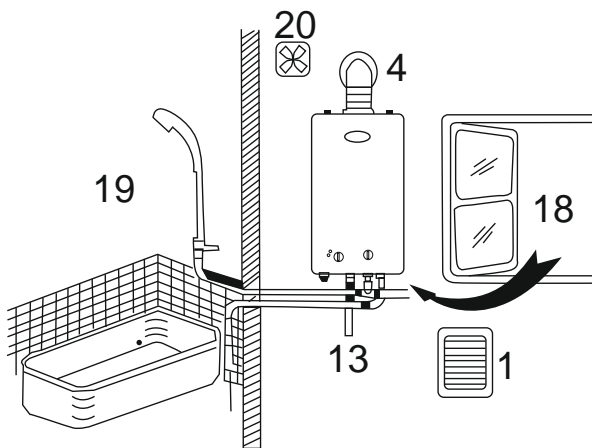
Regularly check the pipe to make sure of good air tightness. If cracked, replace the pipe at once. Under normal conditions, the gas pipe needs to be checked once a year.

- If the gas pipe is cracked, stop using it and replace it. For users of Propane: if the flame of the water heater is inconsistent, it may be due to a malfunction of the gas pressure reducer, Stop using the pressure reducer and replace it, or get it repaired and installed by a professional technician.
- For users of piped gas or natural gas: if the flame is abnormal, it is due to an unstable gas pressure. Stop using the water heater temporarily.
- Continued use will damage the water heater and possibly cause an accident.

PREVENT FIRE

It is absolutely forbidden to leave the burning water heater unattended. The water heater must be stopped before going to bed or going out.

It is forbidden to put combustible or explosive objects close to the water heater. Never put a towel or clothes on the exhaust vent. A gas leakage from the gas pipe can easily causes a fire.



1. Air intake
4. Smoke discharge joint
13. Gas inlet
18. Ventilation hatch
19. Hot water
20. Air extraction

(Fig.7)

PREVENT OXYGEN DEPLETION AND INCOMPLETE BURNING

- Because a large quantity of oxygen is used during burning, the installation site for the water heater must be well. During operation, the water heater will give off fumes; therefore, a chimney must be installed to the water heater to extract the fumes outside the house and keep fresh air in the house, to ensure complete burning.
- When in use with natural gas: in case of low gas pressure, it is highly possible that a “flame-retrace” will be created. This can cause a carbon build-up in the burner. Should this occur, the blue flame becomes yellow and the level of carbon monoxide notably rises. In such a case, stop using the heater and contact the gas supplier.

PREVENT BURNS ON EYES

- Upon ignition, never look at the flame with eyes close to the inspection hole. Keep your eyes a minimum of 300mm from the inspection hole. Wait 10-20 seconds before repeating ignition.

OTHER IMPORTANT CAUTIONS

- **PREVENT BURNS FROM HOT TEMPERATURES:** if there is a need to use hot water shortly after the hot water valve is closed, do not come into contact with the first- hot water coming, as it could cause burns due to a temporary high temperature.

- PREVENT THE HEATER FROM FREEZING: In very cold areas (with temperatures below 0°C), please remove the draining stopper after use to release access water. It's also recommended to disconnect the heater and move it to a storage place without risk for freezing.
- Some parts of the water heater may become loose due during transportation. In case of damages to the external housing after opening the package, get a repairman to check before use.

REPLACE THE BATTERIES.

- Replace the batteries if you see the following situations upon ignition or as the water comes out.
- Longer interval of sounds of "Pa,Pa" during ignition (approx. 2 sounds a second)
- The flame goes out shortly after ignition.
- The voltage between the poles of the battery is lower than 2.9 V.

HOW TO REPLACE THE BATTERIES: SEE PARAGRAPH "LOADING THE BATTERY" FOR DETAIL

- Please use moisture proof batteries with a sealed metal shell. Under normal conditions, the batteries need replacing once a year.

ABNORMAL HANDLE

- In case of abnormal burning (flame-retrace separated flame, yellow flame or dark smoke etc.) unexpected smell, noise or emergency (earthquake or fire), remain calm to close the water heater to stop burning, close the gas valve afterwards and contact the service department or the gas supplier.

MAINTENANCE & SERVICES

- The water heater needs cleaning periodically (generally once every half year) to ensure its normal performance. Check the flame frequently, in case of a yellow flame with dark smoke, inform the service department for cleaning. To clean the external housing, please gently mop it with a wet cloth followed with a dry cloth. If the water heater remains unused for a long time, cover the top to prevent dust. Never use chemical detergents for cleaning; otherwise, the external housing would become faded and lose its gloss. All abnormalities must only be handled by qualified personnel.
- **Note:** The room installed with the water heater must have a fixed open air-induction opening. Closed windows are ineffective.

